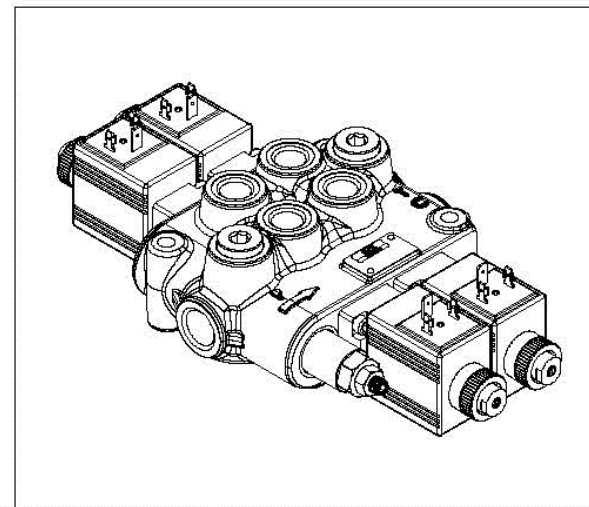


Allen wrench 4
6 Nm / 4.4 lbft



Nominal Flow : 45L	Internal Leakage A(B)→T : 15cm ³ / min. 0.91 in ³ / min.
Max. Flow : 60L	(T Δp100 bar - 1450psi with fluid and valve at 40°C, Oil viscosity 46cST)
Max. Operation Pressure : 350 bar	P-A-B-C Working Pressure : 320 bar
Max. Back Pressure (T) : 20 bar	Fluid Temperature : with NBR seals from -20° to 80°C with FPM seals from -20° to 100°C
Port Size : Inlet P and carry-over C G 3/8	Max. level of contamination : 19/18 - ISO 4406
A and B ports G 3/8	Weight : -
Outlet T G 1/2	

OEMGC-45.2.0015